

Surface Equipment Drum Encoder

PN: 109106

Model Number

T00151000 – Optical Encoder

Temperature Rating

176°F (80°C)

Electrical Specifications

10 cycles / turn – 36° Resolution

Two Channels in Quadrature

Supply Voltage: 5VDC to 14VDC Standard

Open Collector Output (pull-up resistors required)

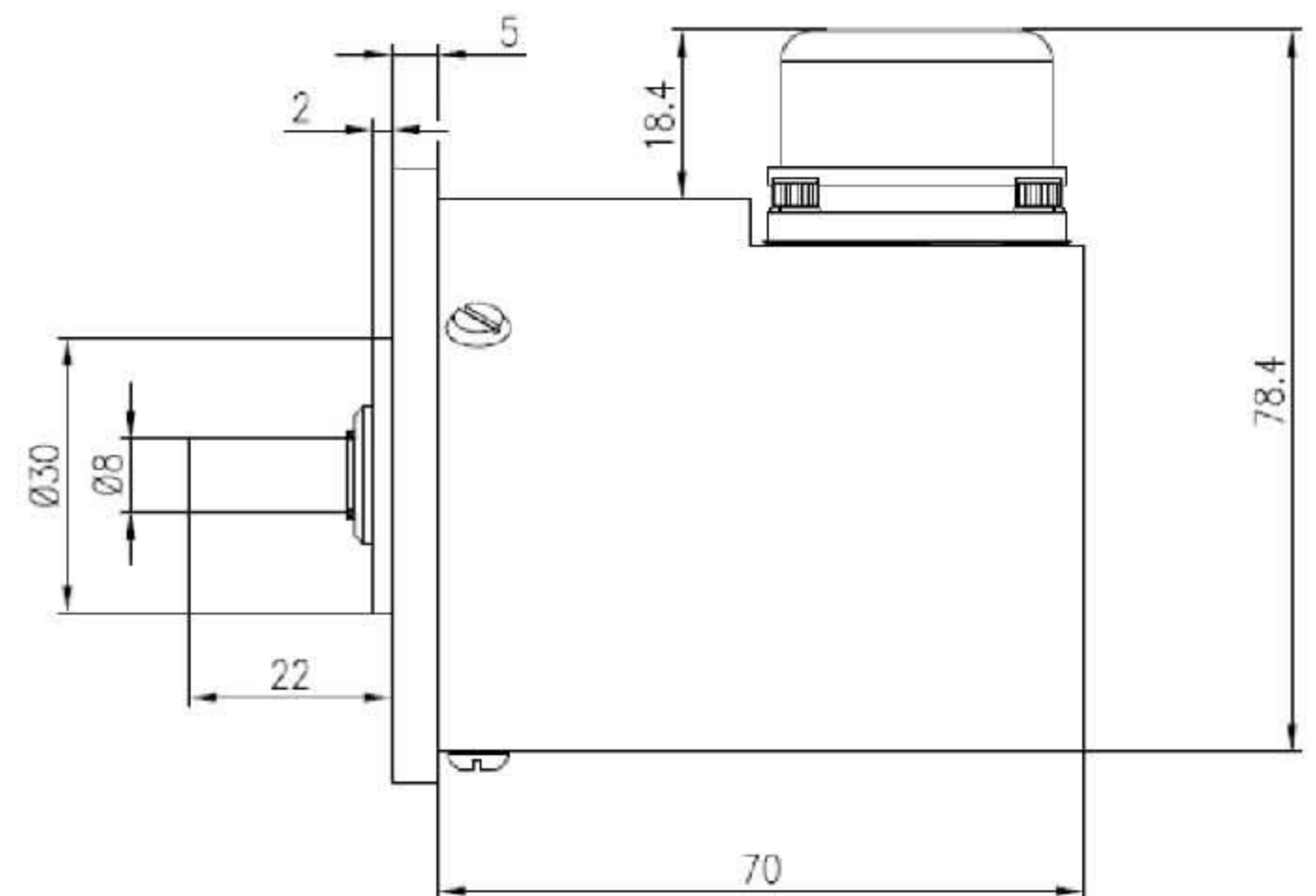
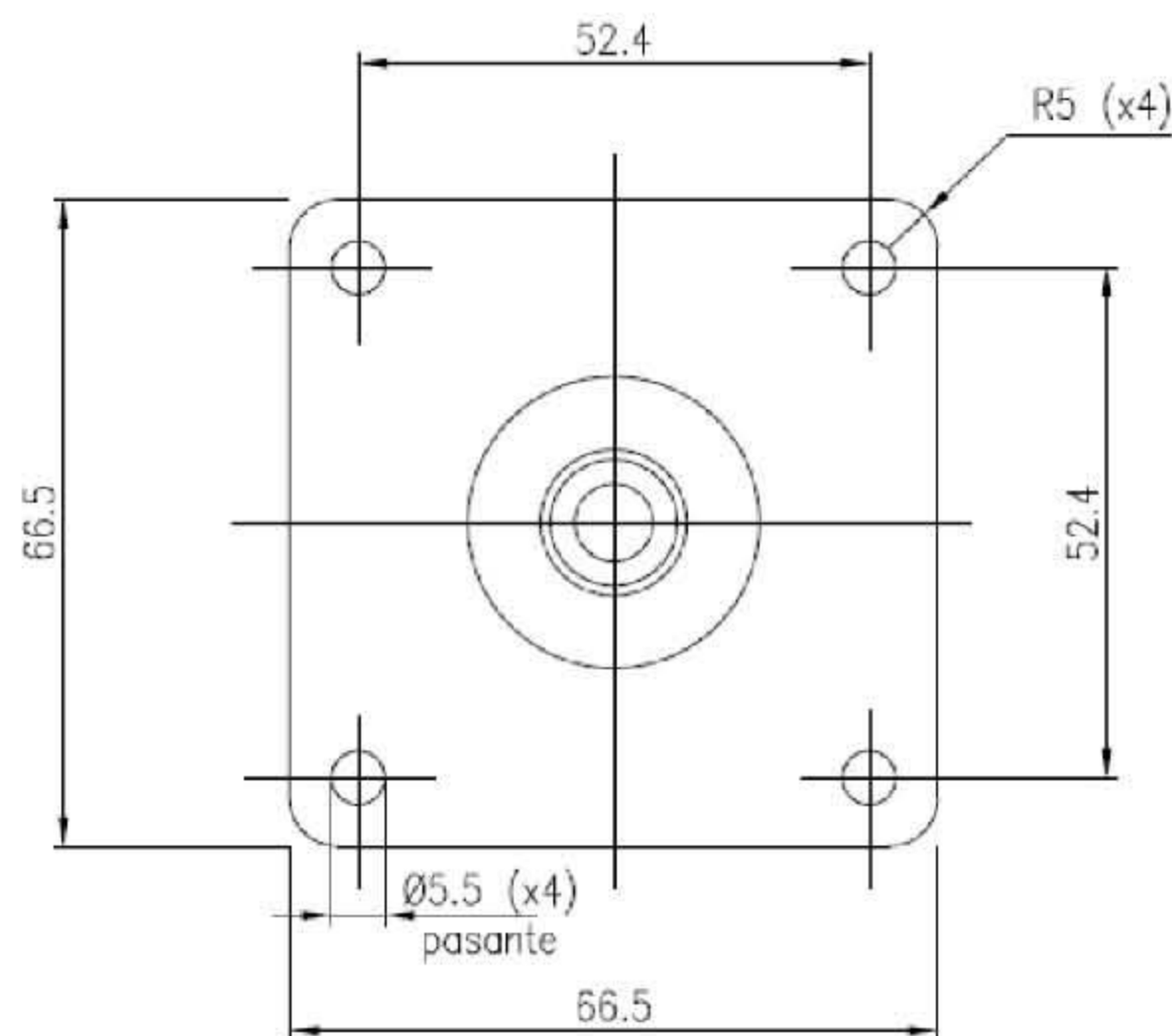
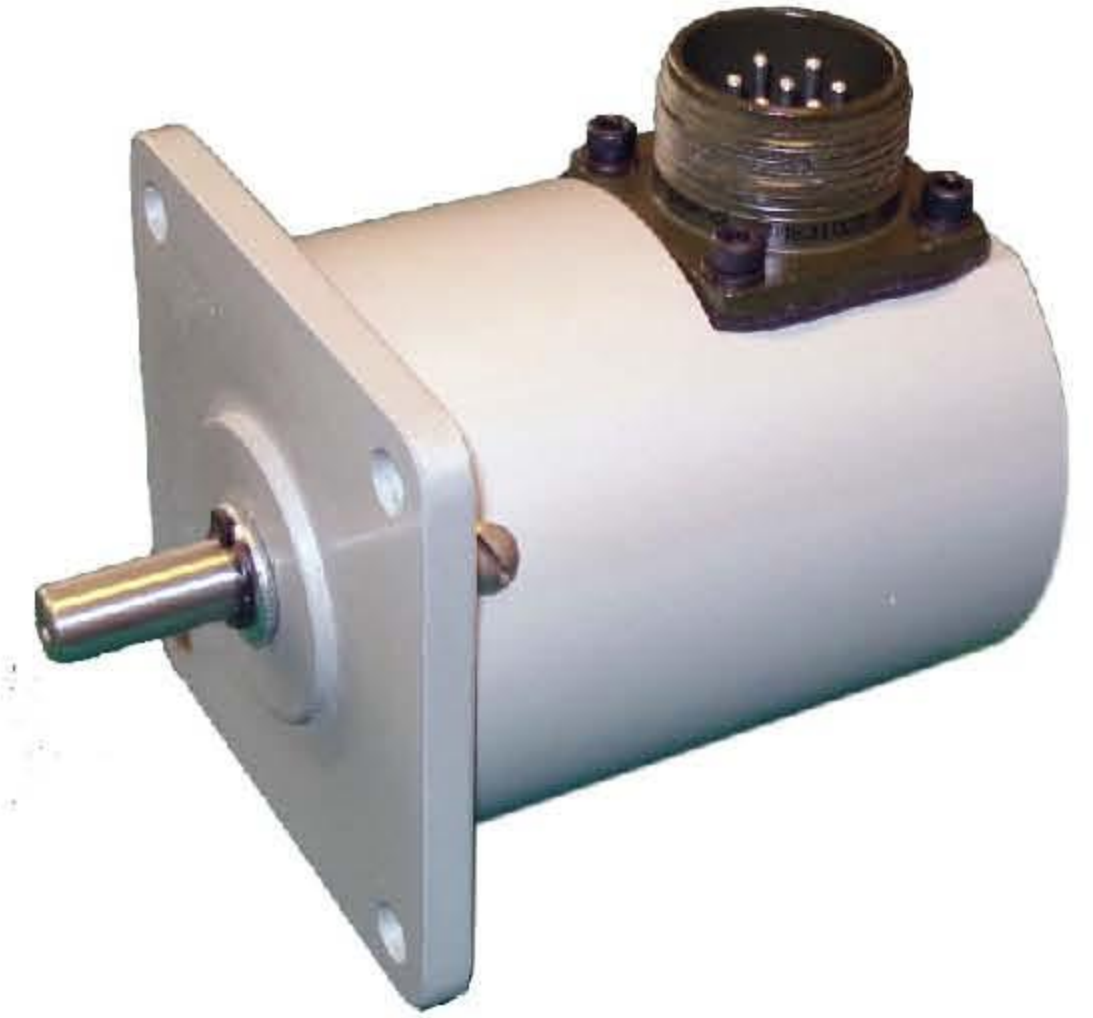
Mechanical Specifications

Shaft Diameter: Ø8mm (0.315in)

Shaft Material: AISI 304L Stainless Steel

Mounting Hole: Ø5.5mm (0.215in)

Connector: Amp. MS3102E-16S1-PF



Dimensions in mm.